



TABLE OF CONTENTS

- 1 - COVER PAGE
- 2 - MATERIALS BOARD
- 3 - DESIGN CONCEPT
- 4 - CONSTRUCTION PLAN
- 5 - FLOOR PLAN
- 6 - SPECIFICATIONS
- 7 - ELEVATIONS
- 8 - ISLAND ELEVATIONS
- 9 - PERSPECTIVES 1/2
- 10 - PERSPECTIVES 2/2
- 11 - PERSPECTIVE OVERVIEW

ALL DIMENSIONS AND SIZE DESIGNATIONS GIVEN ARE SUBJECT TO VERIFICATION ON JOB SITE AND ADJUSTMENT TO FIT JOB CONDITIONS.



DESIGN PLANS ARE PROVIDED FOR THE FAIR USE BY THE CLIENT OR HIS AGENT IN COMPLETING THE PROJECT AS LISTED WITHIN THIS CONTRACT. DESIGN PLANS REMAIN THE PROPERTY OF THIS FIRM AND CAN NOT BE USED OR REUSED WITHOUT PERMISSION.

DESIGNED FOR
Lauren and Calvin Johnson
Boston, Massachusetts

BY

	DATE	BY	SCALE
DWN			
REV			

Cover Page

DWG NO. 1

Student Version
Not for Commercial Use

SEAMLESS EXPERIENCE

SW 9551 Skipping Rocks
Interior / Exterior

SW 7005 Pure White
Interior / Exterior
Location Number: 255-C1

SW 9551 Skipping Rocks
Interior / Exterior

HERB GROWING IN SPACE BETWEEN SINK AND WINDOWS

WALL SCONCES

DOUBLE OVEN

NUGGET ICE MAKER

HERBS

HERB GROWING IN SPACE BETWEEN SINK AND WINDOWS

FRIDGE

CALACATTA MIRAGGIO GOLD

COFFEE/DRINK STATION

FLOATING SHELVES

CALACATTA MIRAGGIO GOLD

SW 6258 Tricorn Black
Interior / Exterior
Location Number: 251-C1

SW 6258 Tricorn Black
Interior / Exterior
Location Number: 251-C1

FORNO AREZZO 44" CEILING RANGE HOOD IN STAINLESS STEEL

PENDANTS OVER ISLAND

BELFAST 3 INCH HANDLE CABINET PULL: SATIN BRASS

SW 9551 Skipping Rocks
Interior / Exterior

SW 7005 Pure White
Interior / Exterior
Location Number: 255-C1

SW 6258 Tricorn Black
Interior / Exterior
Location Number: 251-C1

CALACATTA MIRAGGIO GOLD

BEIGEWOOD MAPLE FLOORING

UPPER CABINETS

ALL WALLS

BASE CABINETS

COUNTERTOPS AND BACKSPLASH

BEIGEWOOD MAPLE FLOORING

ALL DIMENSIONS AND SIZE DESIGNATIONS GIVEN ARE SUBJECT TO VERIFICATION ON JOB SITE AND ADJUSTMENT TO FIT JOB CONDITIONS.



DESIGN PLANS ARE PROVIDED FOR THE FAIR USE BY THE CLIENT OR HIS AGENT IN COMPLETING THE PROJECT AS LISTED WITHIN THIS CONTRACT. DESIGN PLANS REMAIN THE PROPERTY OF THIS FIRM AND CAN NOT BE USED OR REUSED WITHOUT PERMISSION.

DESIGNED FOR
Lauren and Calvin Johnson
Boston, Massachusetts

BY

REV	DATE	BY	SCALE
DWN			
REV			

Materials Board

DWG NO. 2



DESIGN STATEMENT

THE CONCEPT, SEAMLESS EXPERIENCE, IS A COMBINATION OF SLEEK DESIGN THAT LOOKS AND FEELS EXPENSIVE, WITH THE EASE OF CIRCULATION ALL COMING TOGETHER TO GIVE AN EXPERIENCE IN THE HOME. THE NEUTRAL COLOR PALATE, EXTENSION OF THE COUNTER TOP AS THE BACKSPLASH, AND THE USE OF HIGH END APPLIANCES BRINGS ELEGANCE TO THE SPACE. THE KITCHEN IS THE HEART OF THE HOME WHERE THERE IS GATHERING AND BONDING OVER THE SHARED EXPERIENCE OF COOKING FOOD. THE DESIGN OF THE KITCHEN NOT ONLY MAXIMIZES STORAGE SPACE, IT ALSO ALLOWS FOR A SEAMLESS FLOW FROM THE DINING ROOM, LIVING ROOM, AND MUDROOM. THE ISLAND HOLDS PURPOSE WITH THE LOCATION OF THE STOVE, ALLOWING THE CHEF TO BE ENGAGED IN CONVERSATION WITH THE PEOPLE SITTING AT THE ISLAND. THE DECISION TO HAVE A RECESSED VENT HOOD KEEPS THE LINE OF SIGHT TO THE WINDOWS OPEN ALLOWING THE PEOPLE IN THE BAR STOOLS TO STILL SEE THE LARGE WOODED AREAS JUST BEYOND. TO THIS SAME POINT, THE SINK IS PRECISELY LOCATED IN FRONT OF THESE WINDOWS AS WELL WITH AN OPEN COUNTER TOP AREA THAT IS DESIGNED TO BE USED FOR GROWING HERBS, BRINGING THE OUTDOORS RIGHT INTO THE SPACE. THE ANGLED WALL THAT IS ALREADY APART OF THE FLOOR PLAN, IS MAXIMIZED BY BEING A SECONDARY PREP STATION. SEPARATED BY THE REFRIGERATOR AND THE SECONDARY DOUBLE OVEN, THIS SPACE CAN BE USED AS A BAKING STATION OR EVEN A BUFFET STATION, STILL CONTAINING A VIEW OF THE LARGE WOODED AREA. JUST OFF OF THE LIVING AND DINING ROOM IS A SECONDARY PREP SINK AND THE DRINK STATION. BY DOING THIS THE GUESTS CAN COME IN AND HELP THEIR SELVES WITHOUT GETTING IN THE WAY OF THE CHEF. IN CONCLUSION, HIGH END APPLIANCES, SLEEK MATERIALS, AND INTENTIONAL PLACEMENTS OF WORK AREAS, BRINGS A SEAMLESS EFFECT TO THE SPACE WHILE CREATING AN EXPERIENCE FOR THE WHOLE FAMILY.

ALL DIMENSIONS AND SIZE DESIGNATIONS GIVEN ARE SUBJECT TO VERIFICATION ON JOB SITE AND ADJUSTMENT TO FIT JOB CONDITIONS.



DESIGN PLANS ARE PROVIDED FOR THE FAIR USE BY THE CLIENT OR HIS AGENT IN COMPLETING THE PROJECT AS LISTED WITHIN THIS CONTRACT. DESIGN PLANS REMAIN THE PROPERTY OF THIS FIRM AND CAN NOT BE USED OR REUSED WITHOUT PERMISSION.

DESIGNED FOR

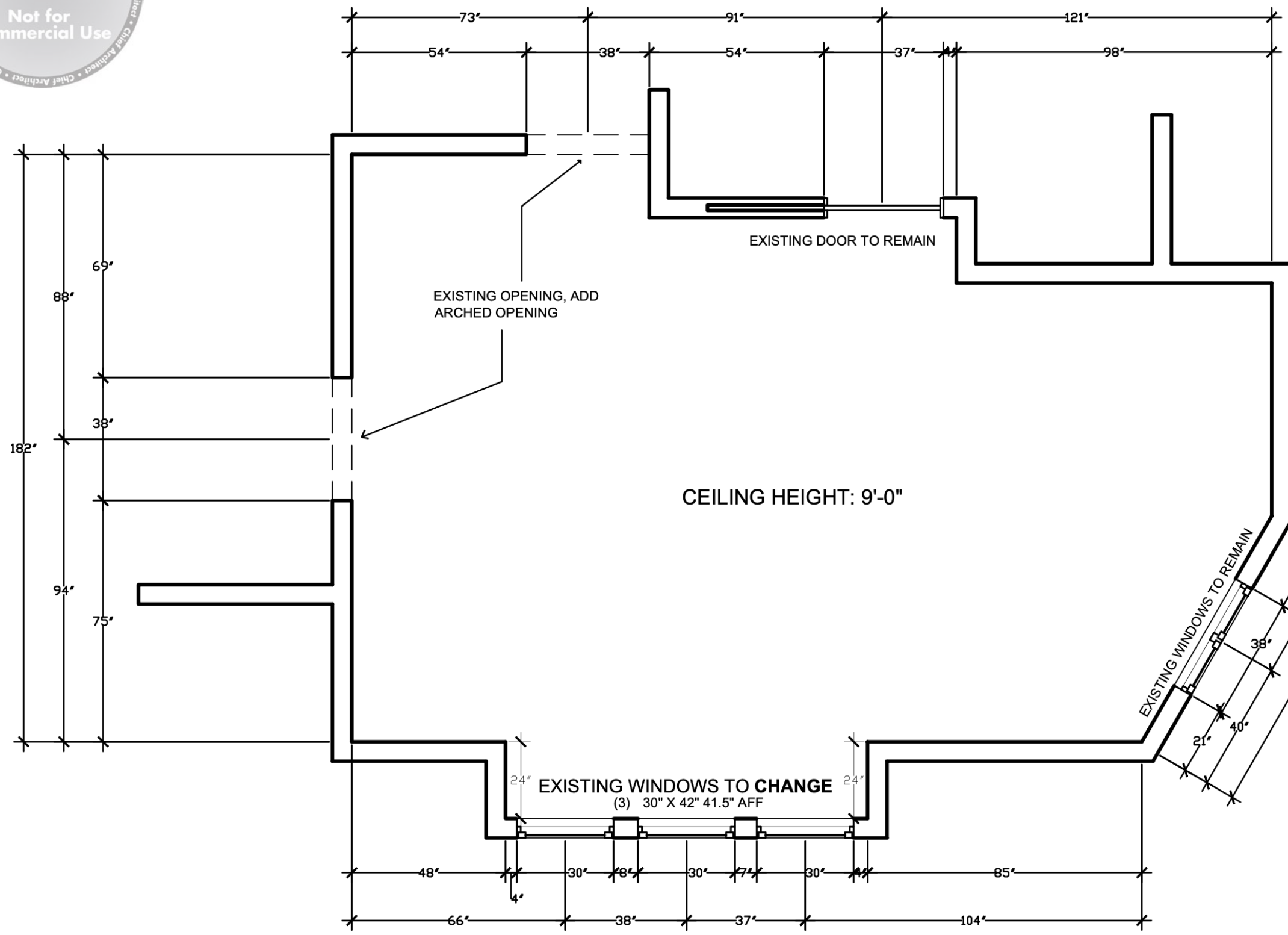
Lauren and Calvin Johnson
Boston, Massachusetts

BY

	DATE	BY
DWN		
REV		

SCALE
Design Statement

DWG NO.
4



CONSTRUCTION LEGEND	
	EXISTING CONSTRUCTION TO REMAIN
	NEW CONSTRUCTION, ARCHED CASED OPENING

ALL DIMENSIONS AND SIZE DESIGNATIONS GIVEN ARE SUBJECT TO VERIFICATION ON JOB SITE AND ADJUSTMENT TO FIT JOB CONDITIONS.



DESIGN PLANS ARE PROVIDED FOR THE FAIR USE BY THE CLIENT OR HIS AGENT IN COMPLETING THE PROJECT AS LISTED WITHIN THIS CONTRACT. DESIGN PLANS REMAIN THE PROPERTY OF THIS FIRM AND CAN NOT BE USED OR REUSED WITHOUT PERMISSION.

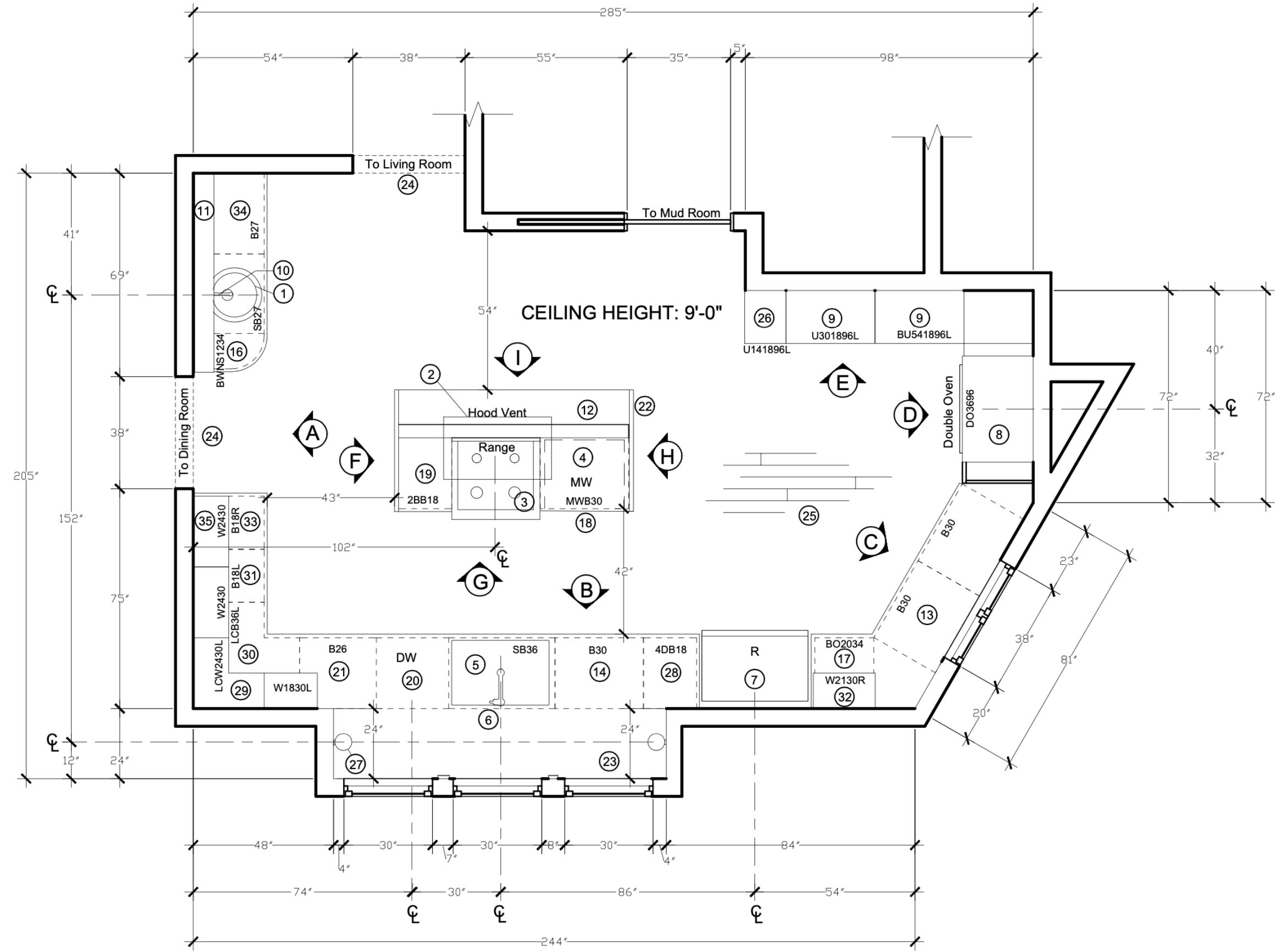
DESIGNED FOR
 Lauren and Calvin Johnson
 Boston, Massachusetts

BY

DWN	DATE	BY
REV		

SCALE
 Construction Plan
 Scale: 1/2" = 1'-0"

DWG NO.
 5



ALL DIMENSIONS AND SIZE DESIGNATIONS GIVEN ARE SUBJECT TO VERIFICATION ON JOB SITE AND ADJUSTMENT TO FIT JOB CONDITIONS.



DESIGN PLANS ARE PROVIDED FOR THE FAIR USE BY THE CLIENT OR HIS AGENT IN COMPLETING THE PROJECT AS LISTED WITHIN THIS CONTRACT. DESIGN PLANS REMAIN THE PROPERTY OF THIS FIRM AND CAN NOT BE USED OR REUSED WITHOUT PERMISSION.

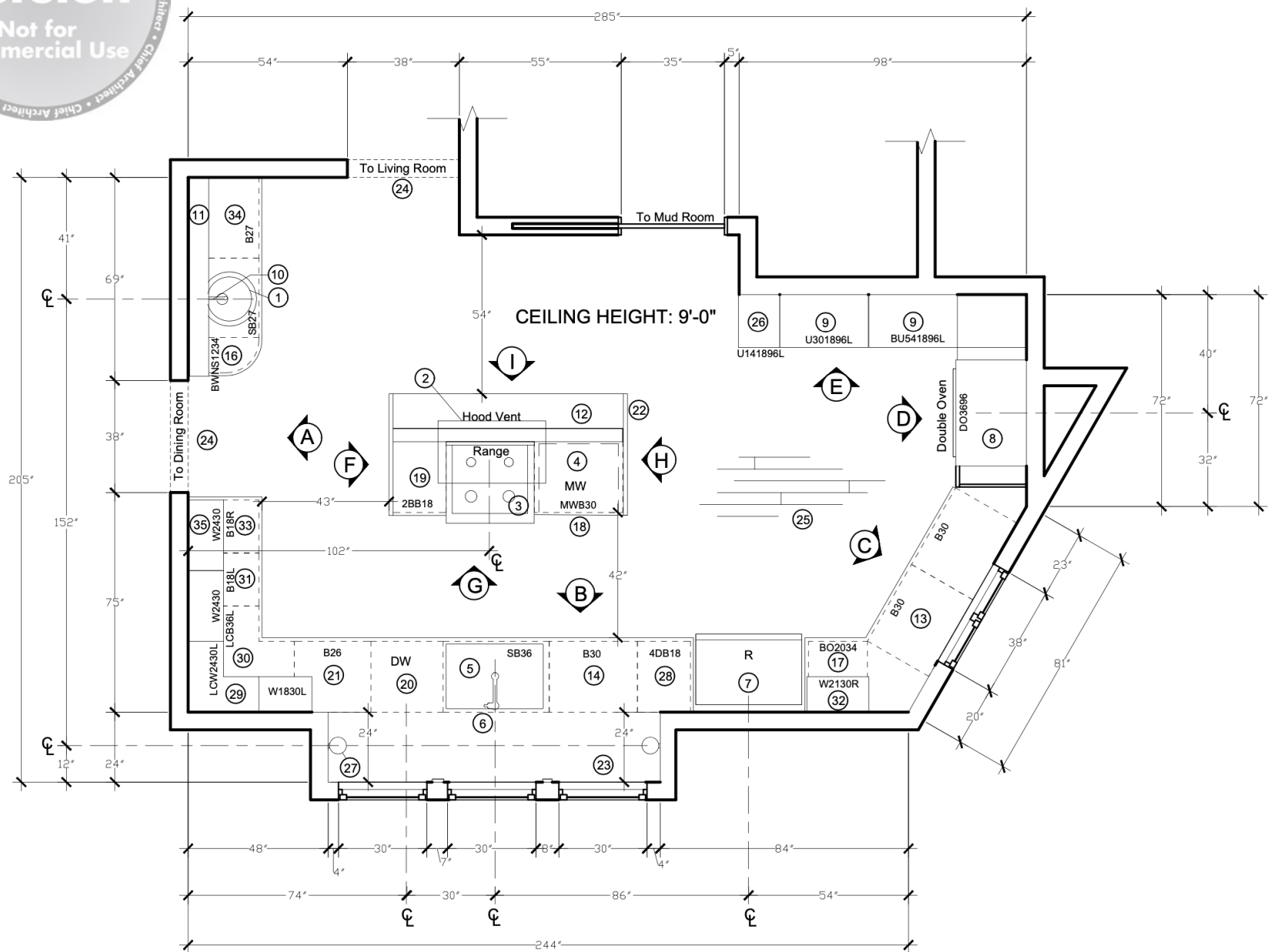
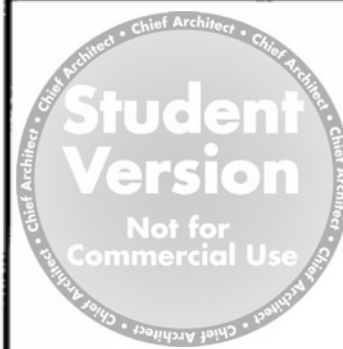
DESIGNED FOR
 Lauren and Calvin Johnson
 Boston, Massachusetts

BY

DWN	DATE	BY	SCALE
REV			

Floor Plan
 Scale: 1/2" = 1'-0"

DWG NO. 5



SPECIFICATION LIST

- ① Kohler Top Mount Bar Sink
- ② Forno Arezzo - 44 in. Ceiling Mounted Recessed Range Hood with Perimetric Heat, Odor, Gases and Steam Air Capture
- ③ 30" Convection Oven Freestanding Gas Range (Stainless Steel)
- ④ 30" Built-In Microwave Drawer with Sensor Cooking Technology
- ⑤ 34" Top-/Undermount Single-Bowl Kitchen Sink
- ⑥ Kohler Semi-professional kitchen sink faucet with three-function sprayhead
- ⑦ 36 Inch Wide 26.8 Cu. Ft Capacity French Door Refrigerator with FreshChill and ExtendFresh Temperature Management
- ⑧ 30 Inch Wide 10 Cu. Ft. Double Electric Oven
- ⑨ Floor to Ceiling Pantry Cabinets, with Blind Cabinet Space on Right Cabinet
- ⑩ Two-hole bridge kitchen sink faucet with sidesprayer
- ⑪ Two Floating Shelves in 5161 Icellion Quartz
- ⑫ 5161 Icellion Quartz as Countertops Throughout
- ⑬ Custom Base Cabinet with 45 Pound Capacity Mixer Lift Stand with Adjustable Spring Tension and Soft Close
- ⑭ Custom Base Cabinet with Bottom Mount Double Bin Trash Can Pull Out
- ⑮ Custom Base Cabinet 12" with Built in Cutting Board Storage
- ⑯ Open Curved Shelving
- ⑰ Location of Nugget Ice Maker, Adjacent to Refrigerator
- ⑱ Custom Base Cabinet for Built In Microwave Drawer
- ⑲ Double Produce Bin Base Cabinet
- ⑳ LG 24 Inch Wide 15 Place Setting Energy Star Rated Built-In Dishwasher with QuadWash
- ㉑ 30" Double Door Base Cabinet with 2 drawers, Left Drawer Contains Built In Silver ware Organizer
- ㉒ Waterfall Edge on Island in 5161 Icellion Quartz Countertop
- ㉓ Countertop Extended to Wall to House Plants such as Herbs
- ㉔ 38" Arched Opening into the Kitchen
- ㉕ 4" Oak Wood Plank Flooring Throughout
- ㉖ Wood Pantry Pull-Out Floor To Ceiling Cabinet
- ㉗ Kohler Parohn Wall Sconce in Polished Brass
- ㉘ 18" 4-Drawer Base Cabinet
- ㉙ 24" x 30" Easy Reach Wall Cabinet
- ㉚ 36" Base Easy Reach Corner Cabinet with pull out Lazy Susan
- ㉛ Pull-Out Cabinet Organizer Knife and Utensil Holder Base Cabinet Organizer with Blumotion Soft Close
- ㉜ 21" Wall Cabinet with Custom Glass Ware Storage Racks
- ㉝ Location of Fire Extinguisher
- ㉞ Double Door with 2 Drawer Base Cabinet with K-Cup Storage in Drawer and Wine Rack Storage Below
- ㉟ Wall Cabinet with Built-in Dinnerware Storage Racks

MATERIALS NOTES

All Kitchen Base Cabinets Painted Sherwin Williams Harmony - SW6258 - Tricorn Black - Satin
 All Wall and Tall Cabinets Painted Sherwin Williams Harmony - SW0055 - Light French Gray - Satin
 All Walls Painted Sherwin Williams Harmony- SW6014 - Quartz White- Eggshell
 5161 Icellion Quartz as Countertops Throughout

ALL DIMENSIONS AND SIZE DESIGNATIONS GIVEN ARE SUBJECT TO VERIFICATION ON JOB SITE AND ADJUSTMENT TO FIT JOB CONDITIONS.



DESIGN PLANS ARE PROVIDED FOR THE FAIR USE BY THE CLIENT OR HIS AGENT IN COMPLETING THE PROJECT AS LISTED WITHIN THIS CONTRACT. DESIGN PLANS REMAIN THE PROPERTY OF THIS FIRM AND CAN NOT BE USED OR REUSED WITHOUT PERMISSION.

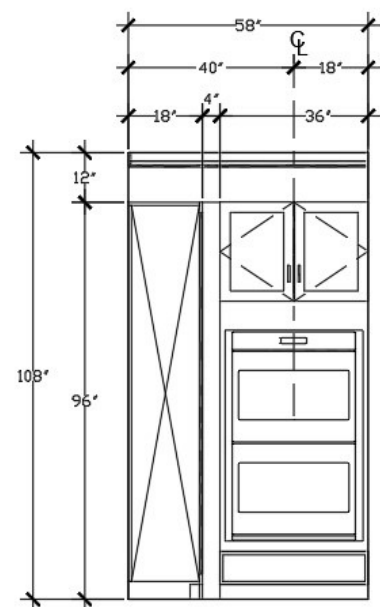
DESIGNED FOR
 Lauren and Calvin Johnson
 Boston, Massachusetts

BY

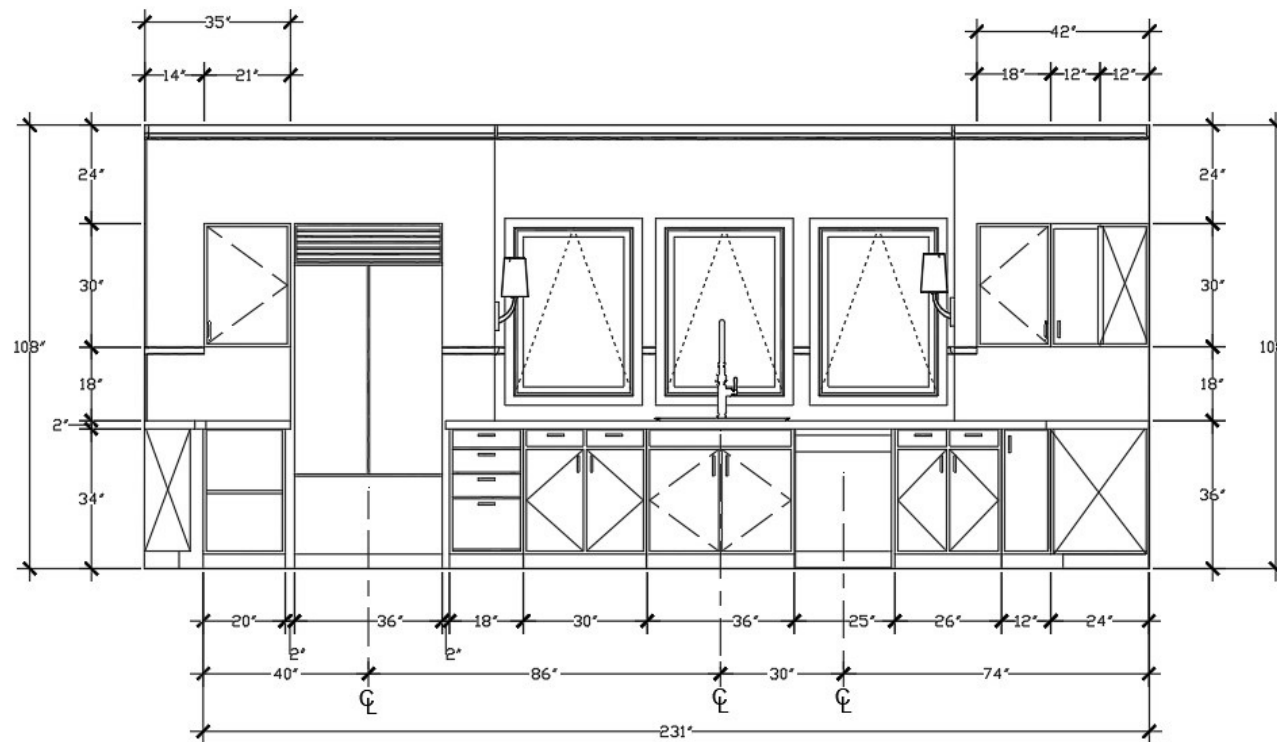
DATE	BY	SCALE
DWN		
REV		

Specifications

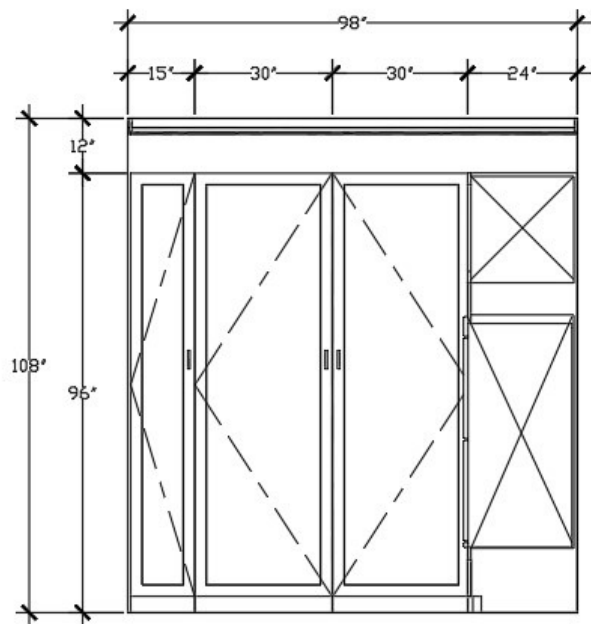
DWG NO. 6



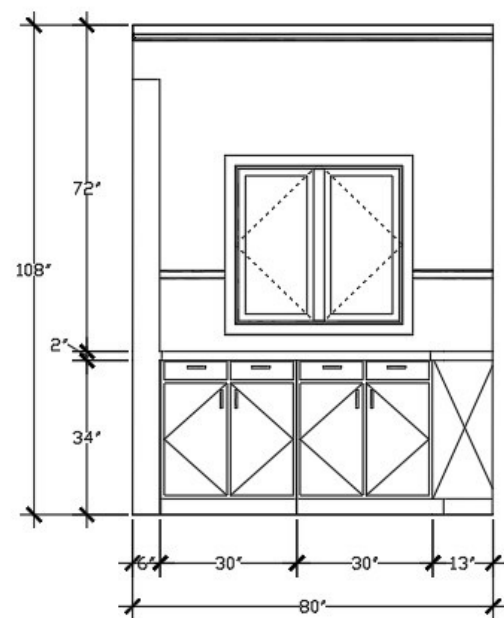
D ELEVATION - D



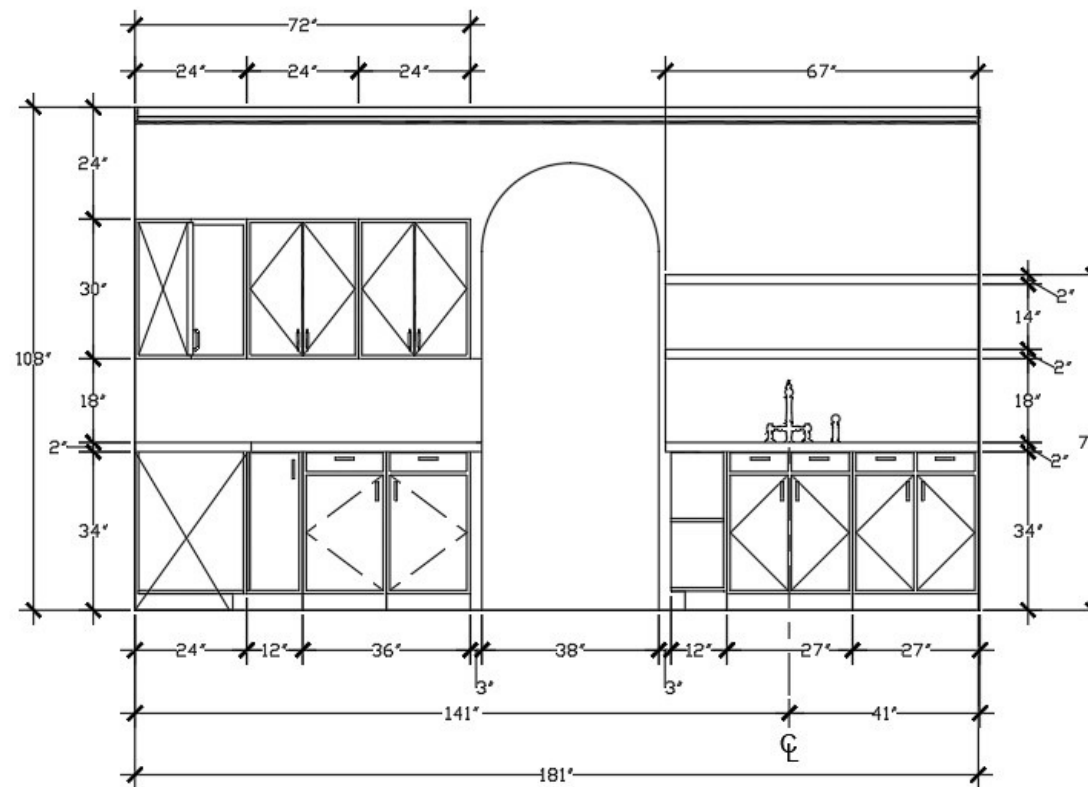
B ELEVATION - B



E ELEVATION - E



C ELEVATION - C



A ELEVATION - A

ALL DIMENSIONS AND
SIZE DESIGNATIONS
GIVEN ARE SUBJECT TO
VERIFICATION ON JOB
SITE AND ADJUSTMENT TO
FIT JOB CONDITIONS.



DESIGN PLANS ARE PROVIDED FOR THE FAIR
USE BY THE CLIENT OR HIS AGENT IN
COMPLETING THE PROJECT AS LISTED WITHIN
THIS CONTRACT. DESIGN PLANS REMAIN THE
PROPERTY OF THIS FIRM AND CAN NOT BE
USED OR REUSED WITHOUT PERMISSION.

DESIGNED FOR

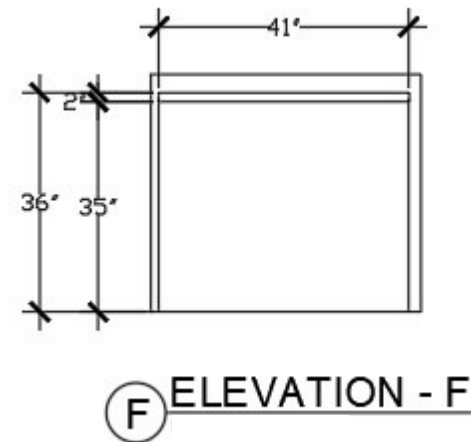
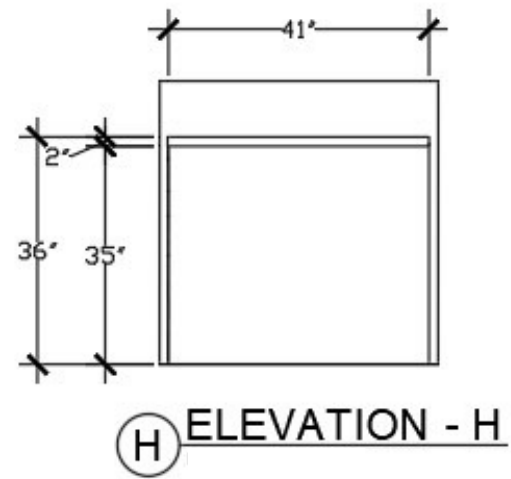
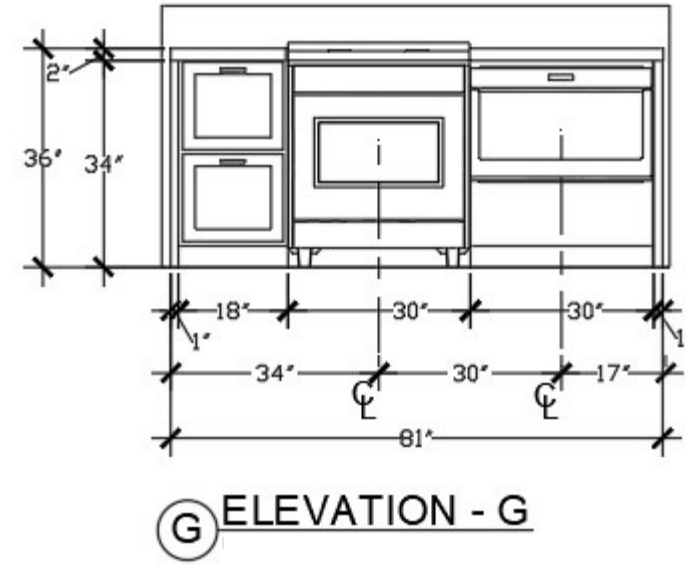
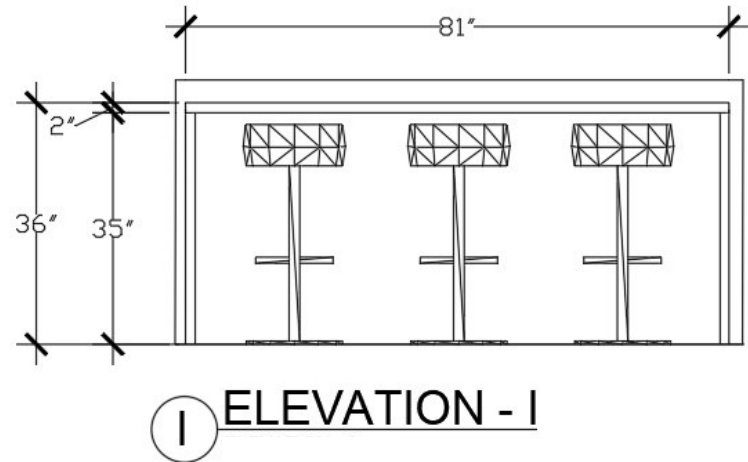
BY

DWN	DATE	BY	SCALE
REV			

Elevations
Scale: 1/2" = 1'-0"

DWG
NO.

7



ALL DIMENSIONS AND SIZE DESIGNATIONS GIVEN ARE SUBJECT TO VERIFICATION ON JOB SITE AND ADJUSTMENT TO FIT JOB CONDITIONS.



DESIGN PLANS ARE PROVIDED FOR THE FAIR USE BY THE CLIENT OR HIS AGENT IN COMPLETING THE PROJECT AS LISTED WITHIN THIS CONTRACT. DESIGN PLANS REMAIN THE PROPERTY OF THIS FIRM AND CAN NOT BE USED OR REUSED WITHOUT PERMISSION.

DESIGNED FOR

Lauren and Calvin Johnson
Boston, Massachusetts

BY

	DATE	BY	SCALE
DWN			
REV			

Island Elevations
Scale: 1/2" = 1'-0"

DWG NO.

8



ALL DIMENSIONS AND SIZE DESIGNATIONS GIVEN ARE SUBJECT TO VERIFICATION ON JOB SITE AND ADJUSTMENT TO FIT JOB CONDITIONS.



DESIGN PLANS ARE PROVIDED FOR THE FAIR USE BY THE CLIENT OR HIS AGENT IN COMPLETING THE PROJECT AS LISTED WITHIN THIS CONTRACT. DESIGN PLANS REMAIN THE PROPERTY OF THIS FIRM AND CAN NOT BE USED OR REUSED WITHOUT PERMISSION.

DESIGNED FOR
 Lauren and Calvin Johnson
 Boston, Massachusetts

BY

REV	DATE	BY
DWN		
REV		

SCALE
 Perspectives 1/2

DWG NO.
 9



ALL DIMENSIONS AND SIZE DESIGNATIONS GIVEN ARE SUBJECT TO VERIFICATION ON JOB SITE AND ADJUSTMENT TO FIT JOB CONDITIONS.



DESIGN PLANS ARE PROVIDED FOR THE FAIR USE BY THE CLIENT OR HIS AGENT IN COMPLETING THE PROJECT AS LISTED WITHIN THIS CONTRACT. DESIGN PLANS REMAIN THE PROPERTY OF THIS FIRM AND CAN NOT BE USED OR REUSED WITHOUT PERMISSION.

DESIGNED FOR

Lauren and Calvin Johnson
Boston, Massachusetts

BY

	DATE	BY	SCALE
DWN			
REV			

Perspectives 2/2

DWG NO. 10



ALL DIMENSIONS AND SIZE DESIGNATIONS GIVEN ARE SUBJECT TO VERIFICATION ON JOB SITE AND ADJUSTMENT TO FIT JOB CONDITIONS.



DESIGN PLANS ARE PROVIDED FOR THE FAIR USE BY THE CLIENT OR HIS AGENT IN COMPLETING THE PROJECT AS LISTED WITHIN THIS CONTRACT. DESIGN PLANS REMAIN THE PROPERTY OF THIS FIRM AND CAN NOT BE USED OR REUSED WITHOUT PERMISSION.

DESIGNED FOR

Lauren and Calvin Johnson
Boston, Massachusetts

BY

	DATE	BY
DWN		
REV		

SCALE

Perspective
Overview

DWG NO.

11