

# REVITALIZING NEW ENGLAND



## CONTENTS

1. COVER PAGE
2. DESIGN STATEMENT
3. FLOOR PLAN
4. FLOOR PLAN SPECIFICATIONS
5. CONCEPT BOARD
6. ELEVATION 1 & 4
7. ELEVATION 2
8. ELEVATION 3 & 5
9. PERSPECTIVES

ALL DIMENSIONS AND SIZE DESIGNATIONS GIVEN ARE SUBJECT TO VERIFICATION ON JOB SITE AND ADJUSTMENT TO FIT JOB CONDITIONS.



DESIGN PLANS ARE PROVIDED FOR THE FAIR USE BY THE CLIENT OR HIS AGENT IN COMPLETING THE PROJECT AS LISTED WITHIN THIS CONTRACT. DESIGN PLANS REMAIN THE PROPERTY OF THIS FIRM AND CAN NOT BE USED OR REUSED WITHOUT PERMISSION.

DESIGNED FOR:  
**LAUREN AND CALVIN JOHNSON**

BY:  
**HANNAH HIEB**

	DATE	BY	SCALE	DRAWING NUMBER
DWG.			1/2" = 1'-0"	01
REV.				

# DESIGN STATEMENT

## "REVITALIZING NEW ENGLAND"

By "Revitalizing New England" the idea was to mix their traditional style with a bold design that is also cohesive with the rest of the spaces in the home. Mixing their traditional style with a bold design allows an element of familiarity while also bringing life back to the space after being used for ten years. The kitchen remains the family's central hub of quality time and interaction by incorporating a corner booth, and bar stools at the kitchen island, allowing the teenagers plenty of room to work and hang out with friends. The design incorporates practicality while mixing modernism for all members of the family to enjoy.

### Space Planning:

1. The kitchen is located at the back of the house overlooking the back yard. With two entry ways coming from the dining/living room leading into the archways into the kitchen.
2. The kitchen features black marble countertops as the bold statement of the space with burnt orange cabinets and green trim to incorporate the earth tones that first inspired the design.
3. The sink sits in front of the big bay windows that overlooks the landscape in the backyard with the range and custom vent hood to the left and a black french door refrigerator with a custom refrigerator cabinet and pantry with a microwave pullout inside to the right.
4. The island's focus is the two barstools on one side with the dishwasher and nugget ice maker on the other side.
5. The corner cabinets acts as a coffee bar with the coffee maker on the counter and the mugs in the open shelving above. The corner cabinets also have a lazy susan in the base cabinet to access dishes better.
6. On the other side of the kitchen features a corner booth table, with the dining room remaining the formal dining area of the house, the booth is reserved for hangouts, quick meals, and homework time.

ALL DIMENSIONS AND SIZE DESIGNATIONS GIVEN ARE SUBJECT TO VERIFICATION ON JOB SITE AND ADJUSTMENT TO FIT JOB CONDITIONS.



DESIGN PLANS ARE PROVIDED FOR THE FAIR USE BY THE CLIENT OR HIS AGENT IN COMPLETING THE PROJECT AS LISTED WITHIN THIS CONTRACT. DESIGN PLANS REMAIN THE PROPERTY OF THIS FIRM AND CAN NOT BE USED OR REUSED WITHOUT PERMISSION.

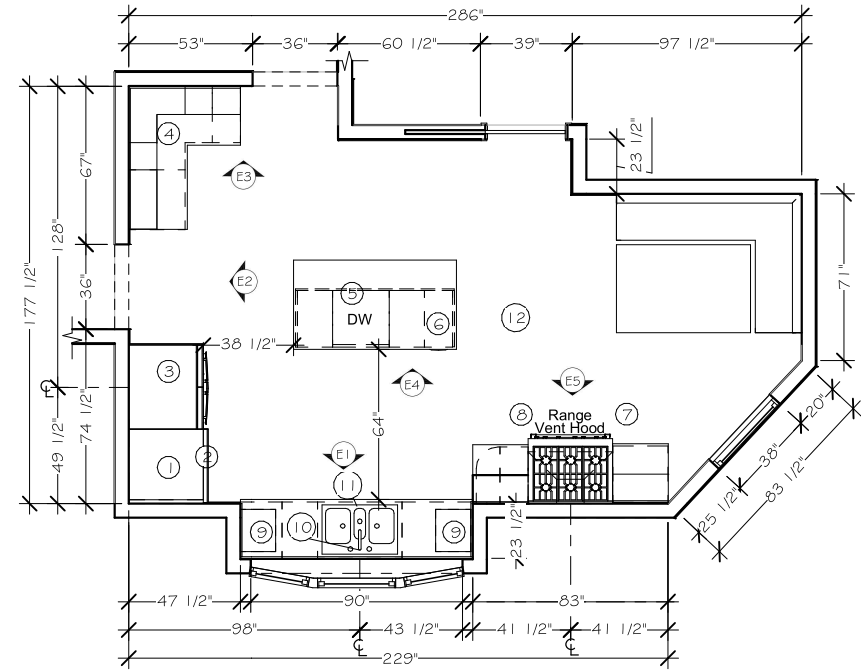
DESIGNED FOR:

LAUREN AND CALVIN JOHNSON

BY:

HANNAH HIEB

	DATE	BY	SCALE	DRAWING NUMBER
DWG.			1/2" = 1'-0"	02
REV.				



① Floor Plan  
1/4" = 1'-0"

ALL DIMENSIONS AND SIZE DESIGNATIONS GIVEN ARE SUBJECT TO VERIFICATION ON JOB SITE AND ADJUSTMENT TO FIT JOB CONDITIONS.

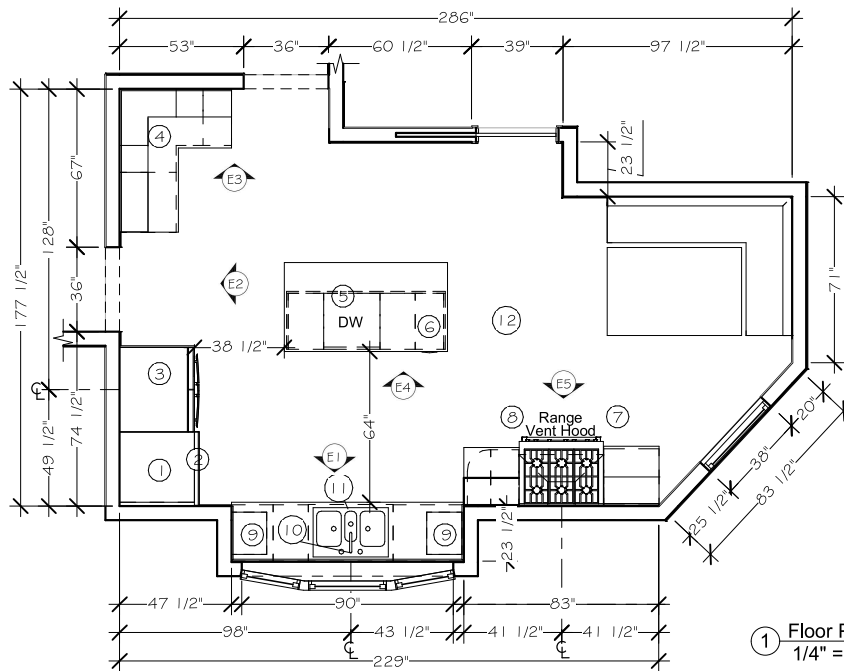


DESIGN PLANS ARE PROVIDED FOR THE FAIR USE BY THE CLIENT OR HIS AGENT IN COMPLETING THE PROJECT AS LISTED WITHIN THIS CONTRACT. DESIGN PLANS REMAIN THE PROPERTY OF THIS FIRM AND CAN NOT BE USED OR REUSED WITHOUT PERMISSION.

DESIGNED FOR:  
**LAUREN AND CALVIN JOHNSON**

BY:  
**HANNAH HIEB**

	DATE	BY	SCALE	DRAWING NUMBER
DWG.			1/2" = 1'-0"	03
REV.				



① Floor Plan Specifications  
1/4" = 1'-0"

FLOOR PLAN SPECIFICATIONS

- ① KitchenAid 22 Inch Wide 1.5 Cu. Ft. 1000 Watt Countertop Microwave with Convection
- ② Hampton Unfinished Recessed Panel Stock Assembled Pantry Kitchen Cabinet (24 in. x 84 in. x 18 in.)
- ③ ZLINE 36 Inch 22.5 Cu. Ft. Built In French Door Refrigerator with Fingerprint Resistant Finish
- ④ Rev-A-Shelf 3472 Series 24 Inch Kidney 2 Shelf Lazy Susan
- ⑤ Bosch 24" Built-In Dishwasher with Recessed Handle and Express Wash - Ascenta Series
- ⑥ Ice-O-Matic Nugget Ice Machine with 22 lbs storage capacity and 85 lbs daily production
- ⑦ ZLINE KITCHEN & BATH Wall Mount Range Hood 36-in Ducted Wall-Mounted Range Hood
- ⑧ Bosch - 800 Series 3.5 cu. ft. Freestanding Gas Convection Range with 6 Dual Flame Ring Burners - Black stainless steel
- ⑨ Linear Bunt Wax Wood Wall Shelves with Jordan Brackets
- ⑩ KOHLER Cruce® Touchless pull-down kitchen sink faucet with three-function sprayhead
- ⑪ KOHLER Dickinson® 33" x 19-9/16" x 8-5/8" undermount single-bowl farmhouse kitchen sink
- ⑫ Mannington Hand Crafter 7.5" Latitude Park City Hemmingbone 1/2"

ALL DIMENSIONS AND SIZE DESIGNATIONS GIVEN ARE SUBJECT TO VERIFICATION ON JOB SITE AND ADJUSTMENT TO FIT JOB CONDITIONS.



DESIGN PLANS ARE PROVIDED FOR THE FAIR USE BY THE CLIENT OR HIS AGENT IN COMPLETING THE PROJECT AS LISTED WITHIN THIS CONTRACT. DESIGN PLANS REMAIN THE PROPERTY OF THIS FIRM AND CAN NOT BE USED OR REUSED WITHOUT PERMISSION.

DESIGNED FOR:  
**LAUREN AND CALVIN JOHNSON**

BY:  
**HANNAH HIEB**

	DATE	BY	SCALE	DRAWING NUMBER
DWG.			1/2" = 1'-0"	04
REV.				

# CONCEPT BOARD



Karl and Anderson bar stool



Biarritz 3" x 6"  
Ceramic Brick Look  
Subway Tile



Celeste bar cart-  
Ballard Designs



Kohler brushed gold  
faucet



Berenson brushed gold  
pull



Black Range with brushed gold  
accents- Build



Persian rug Ist Dibbs



wild caps  
hook pillow

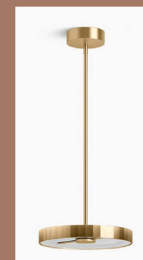
herringbone carthage  
oak flooring



Schumaker wall  
covering used as  
textile



damask  
Kohler 3  
pendant light



simpalo  
Kohler light  
pendant

SW 2822



SW 7705



SW 7729



ALL DIMENSIONS AND SIZE DESIGNATIONS GIVEN ARE SUBJECT TO VERIFICATION ON JOB SITE AND ADJUSTMENT TO FIT JOB CONDITIONS.

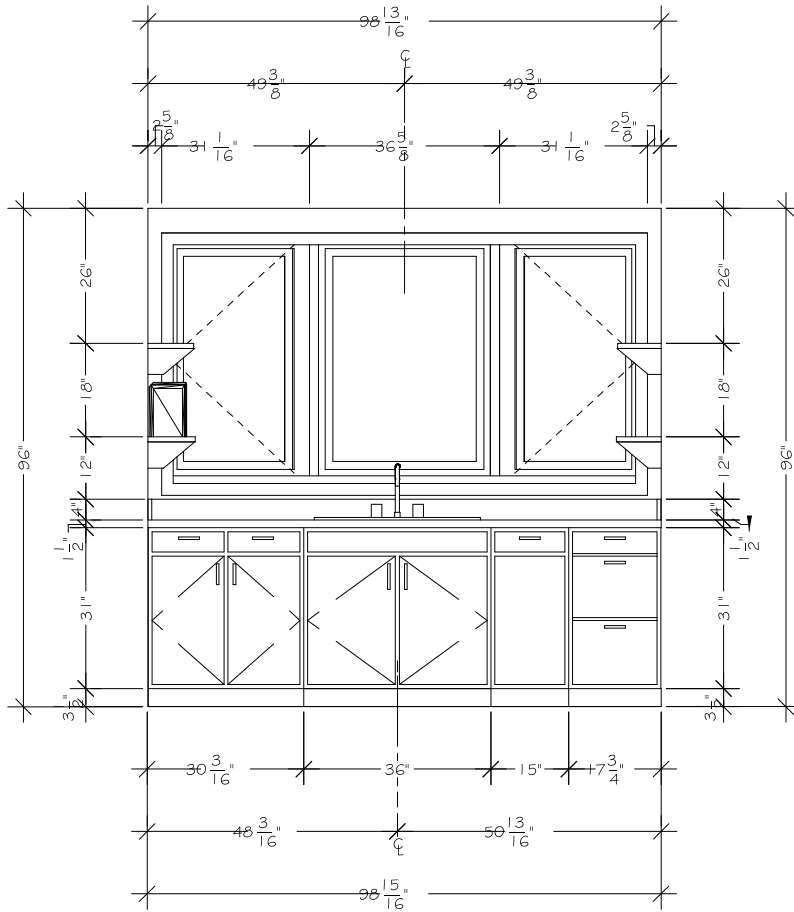


DESIGN PLANS ARE PROVIDED FOR THE FAIR USE BY THE CLIENT OR HIS AGENT IN COMPLETING THE PROJECT AS LISTED WITHIN THIS CONTRACT. DESIGN PLANS REMAIN THE PROPERTY OF THIS FIRM AND CAN NOT BE USED OR REUSED WITHOUT PERMISSION.

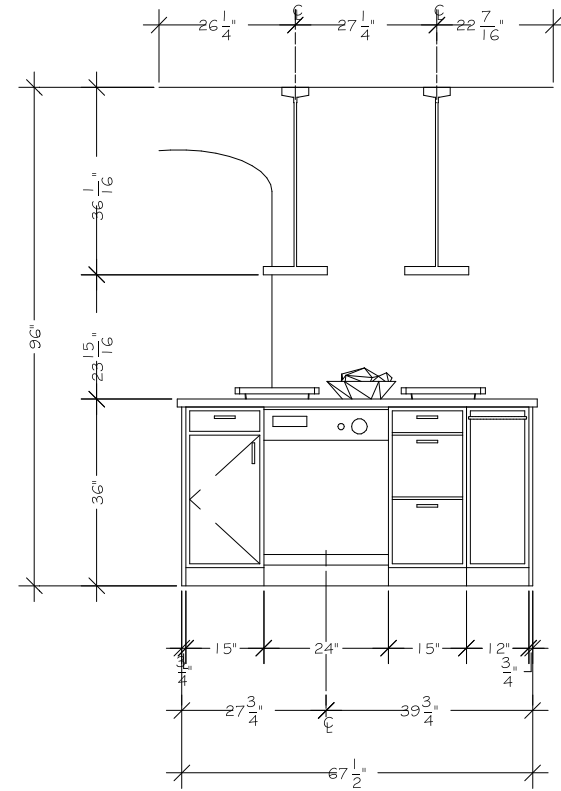
DESIGNED FOR:  
LAUREN AND CALVIN JOHNSON

BY:  
HANNAH HIEB

	DATE	BY	SCALE	DRAWING NUMBER
DWG.			1/2" = 1'-0"	05
REV.				



(E1) SINK ELEVATION  
1/2" = 1'-0"



(E4) KITCHEN ISLAND  
1/2" = 1'-0"

ALL DIMENSIONS AND SIZE DESIGNATIONS GIVEN ARE SUBJECT TO VERIFICATION ON JOB SITE AND ADJUSTMENT TO FIT JOB CONDITIONS.



DESIGN PLANS ARE PROVIDED FOR THE FAIR USE BY THE CLIENT OR HIS AGENT IN COMPLETING THE PROJECT AS LISTED WITHIN THIS CONTRACT. DESIGN PLANS REMAIN THE PROPERTY OF THIS FIRM AND CAN NOT BE USED OR REUSED WITHOUT PERMISSION.

DESIGNED FOR:

LAUREN AND CALVIN JOHNSON

BY:

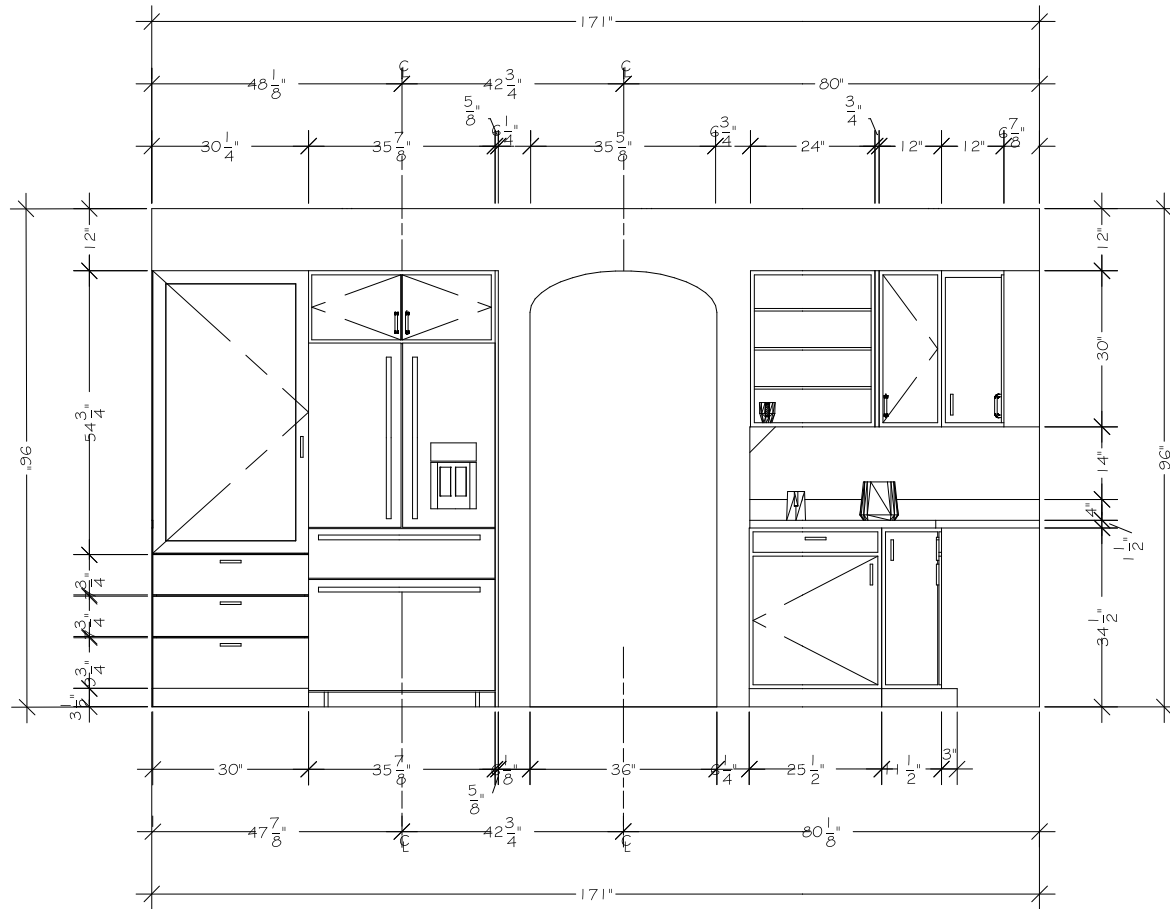
HANNAH HIEB

	DATE	BY
DWG.		
REV.		

SCALE  
1/2" = 1'-0"

DRAWING NUMBER

06



E2 REFRIGERATOR ELEVATION  
1/2" = 1'-0"

ALL DIMENSIONS AND SIZE DESIGNATIONS GIVEN ARE SUBJECT TO VERIFICATION ON JOB SITE AND ADJUSTMENT TO FIT JOB CONDITIONS.

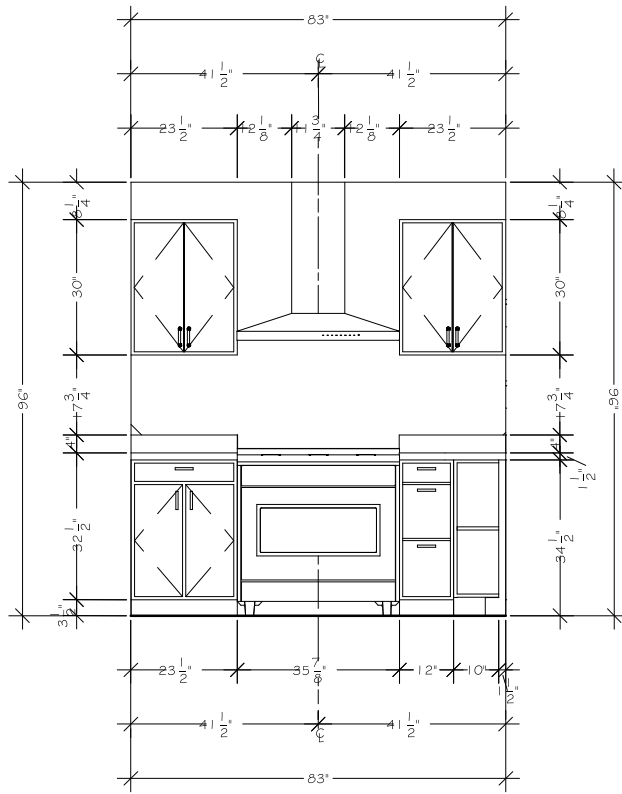


DESIGN PLANS ARE PROVIDED FOR THE FAIR USE BY THE CLIENT OR HIS AGENT IN COMPLETING THE PROJECT AS LISTED WITHIN THIS CONTRACT. DESIGN PLANS REMAIN THE PROPERTY OF THIS FIRM AND CAN NOT BE USED OR REUSED WITHOUT PERMISSION.

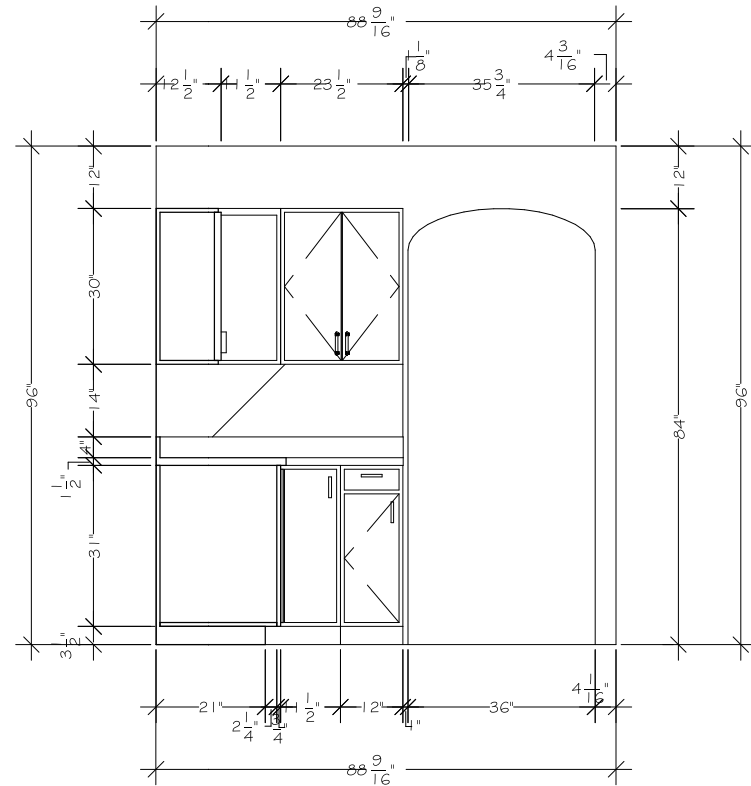
DESIGNED FOR:  
**LAUREN AND CALVIN JOHNSON**

BY:  
**HANNAH HIEB**

	DATE	BY	SCALE	DRAWING NUMBER
DWG.			1/2" = 1'-0"	07
REV.				



E3 RANGE WALL ELEVATION  
1/2" = 1'-0"



E3 CABINETS ELEVATION  
1/2" = 1'-0"

ALL DIMENSIONS AND SIZE DESIGNATIONS GIVEN ARE SUBJECT TO VERIFICATION ON JOB SITE AND ADJUSTMENT TO FIT JOB CONDITIONS.



DESIGN PLANS ARE PROVIDED FOR THE FAIR USE BY THE CLIENT OR HIS AGENT IN COMPLETING THE PROJECT AS LISTED WITHIN THIS CONTRACT. DESIGN PLANS REMAIN THE PROPERTY OF THIS FIRM AND CAN NOT BE USED OR REUSED WITHOUT PERMISSION.

DESIGNED FOR:  
**LAUREN AND CALVIN JOHNSON**

BY:  
**HANNAH HIEB**

	DATE	BY
DWG.		
REV.		

SCALE  
1/2" = 1'-0"

DRAWING NUMBER  
**08**





ALL DIMENSIONS AND SIZE DESIGNATIONS GIVEN ARE SUBJECT TO VERIFICATION ON JOB SITE AND ADJUSTMENT TO FIT JOB CONDITIONS.



DESIGN PLANS ARE PROVIDED FOR THE FAIR USE BY THE CLIENT OR HIS AGENT IN COMPLETING THE PROJECT AS LISTED WITHIN THIS CONTRACT. DESIGN PLANS REMAIN THE PROPERTY OF THIS FIRM AND CAN NOT BE USED OR REUSED WITHOUT PERMISSION.

DESIGNED FOR:  
LAUREN AND CALVIN JOHNSON

BY:  
HANNAH HIEB

	DATE	BY	SCALE	DRAWING NUMBER
DWG.			1/2" = 1'-0"	09
REV.				